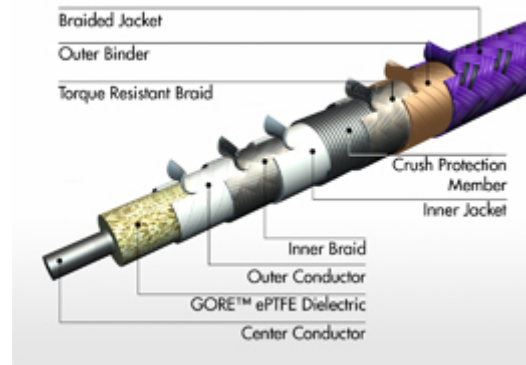


## Assembly #0F0CB0CA0360

GORE® PHASEFLEX® Cable is internally ruggedized with excellent phase and amplitude stability. With the ruggedization designed into the cable, the assemblies have excellent durability while remaining exceptionally lightweight and flexible. The exceptional performance of GORE® PHASEFLEX® Cable enables accurate and repeatable measurements while limiting the need to perform time consuming calibrations between measurements.

<b>Maximum Operating Frequency GHz</b>	67
<b>Length l</b>	36
<b>Impedance Ohms</b>	50
<b>Center Conductor</b>	Solid
<b>Dielectric Constant (nominal)</b>	1.4
<b>Velocity of Propagation</b>	0.85
<b>Temperature °C</b>	-55 to 75
<b>Nominal Outer Diameter in. (mm)</b>	0.230 (5.8)
<b>Minimum Bend Radius (multiple bends) in. (mm)</b>	1 (25.4)
<b>Nominal Weight g/ft (g/m)</b>	27 (88.5)
<b>Crush Resistance lb/linear in.</b>	250
<b>Typical Insertion Loss dB at 67 GHz</b>	-5.84
<b>Guaranteed Insertion Loss dB at 67 GHz</b>	-6.77
<b>Guaranteed VSWR at 67 GHz</b>	1.50:1
<b>Guaranteed Return Loss dB at 67 GHz</b>	-13.98



### Features

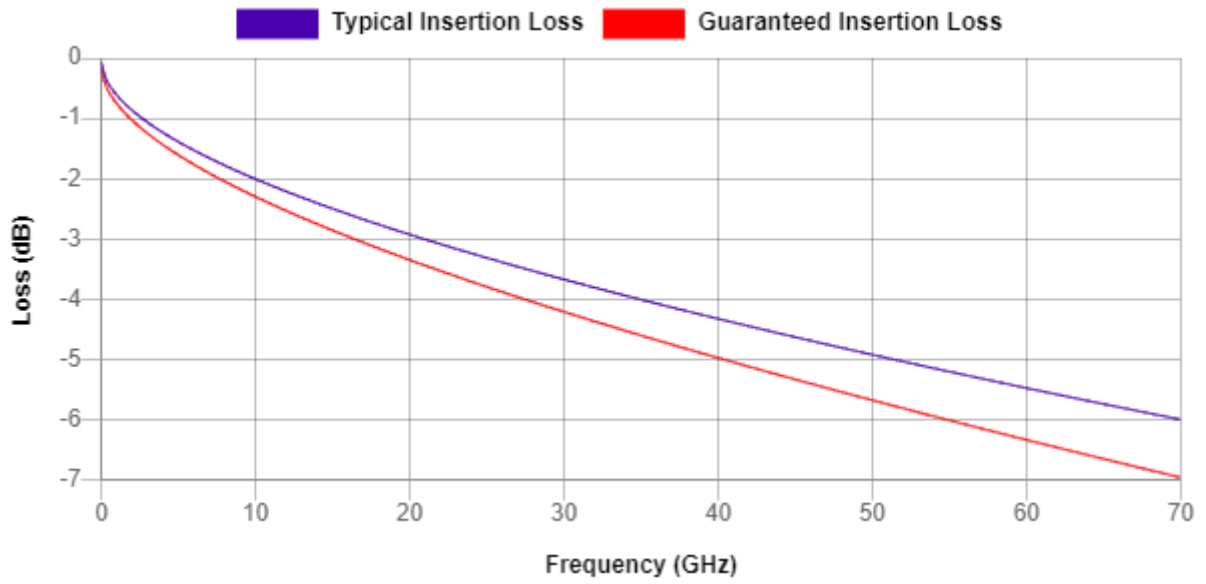
- Phase and amplitude stability
- Crush, torque and kink resistant
- Phase matching options
- Replaceable interface options/adapters

### Benefits

- Longer calibration intervals
- Longer field-service life
- Suited for parallel or comparative measurements
- Reduced risk of assembly damage

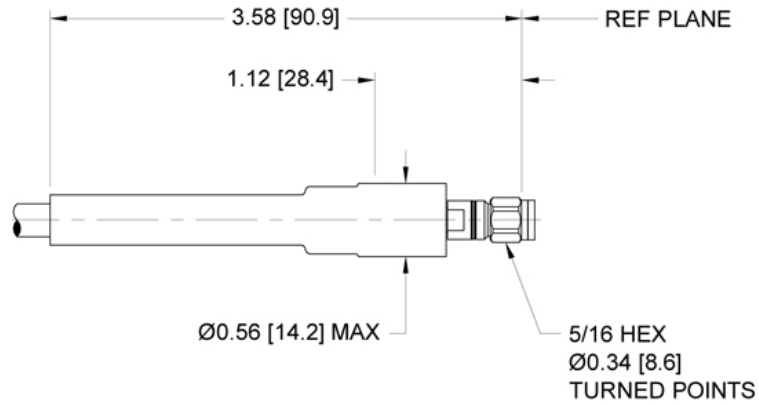
### Other Requirements

- Quantity: 1
- Sealing Requirement: Not Applicable
- Thermal vacuum application? No
- Requires phase or time matched assemblies? No
- Requires lead-free solder? No



### CONNECTOR A

Type: Straight, Family: 1.85 mm / V, Sex: Pin (Plug)



### CONNECTOR B

Type: Straight, Family: 1.85 mm / V, Sex: Socket (Jack)

