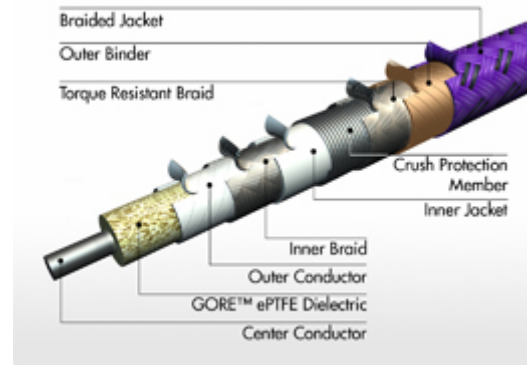


Assembly #CX0AB0AAC130

GORE® PHASEFLEX® Cable is internally ruggedized with excellent phase and amplitude stability. With the ruggedization designed into the cable, the assemblies have excellent durability while remaining exceptionally lightweight and flexible. The exceptional performance of GORE® PHASEFLEX® Cable enables accurate and repeatable measurements while limiting the need to perform time consuming calibrations between measurements.

Maximum Operating Frequency GHz	110
Length C	13
Impedance Ohms	50
Center Conductor	Solid
Dielectric Constant (nominal)	1.4
Velocity of Propagation	0.85
Temperature °C	-55 to 125
Nominal Outer Diameter in. (mm)	0.167 (4.2)
Minimum Bend Radius (multiple bends) in. (mm)	0.5 (12.7)
Nominal Weight g/ft (g/m)	17 (55.7)
Crush Resistance lb/linear in.	250
Typical Insertion Loss dB at 110 GHz	-1.74
Guaranteed Insertion Loss dB at 110 GHz	-2.23
Guaranteed VSWR at 110 GHz	1.50:1
Guaranteed Return Loss dB at 110 GHz	-14.00



Features

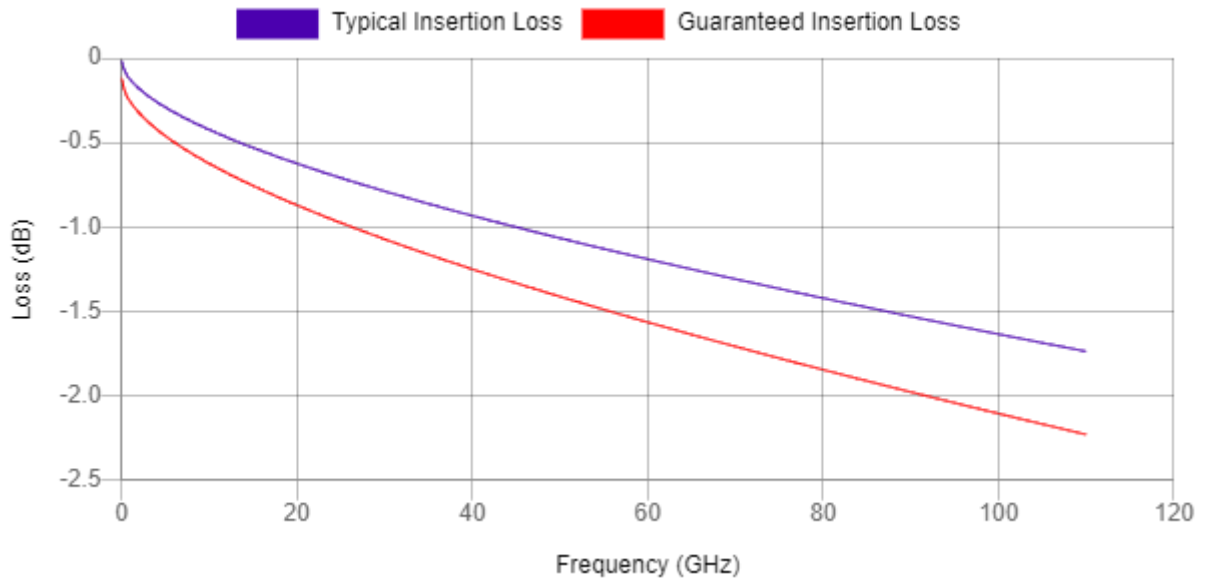
- Phase and amplitude stability
- Crush, torque and kink resistant
- Phase matching options
- Replaceable interface options/adapters

Benefits

- Longer calibration intervals
- Longer field-service life
- Suited for parallel or comparative measurements
- Reduced risk of assembly damage

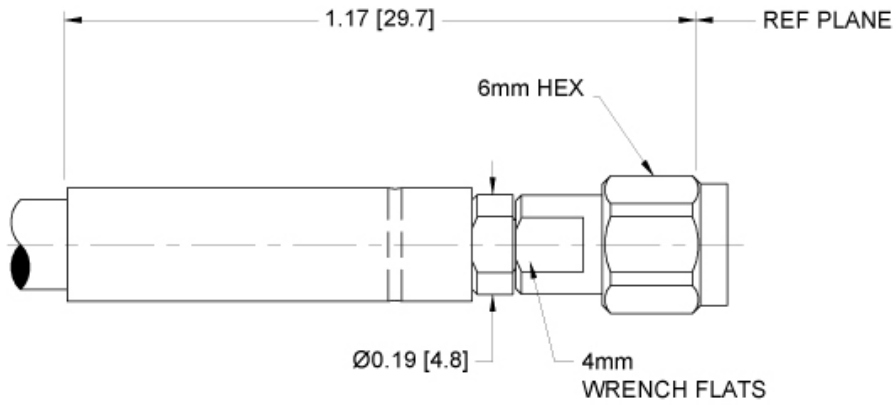
Other Requirements

- Quantity: 1
- Sealing Requirement: Not Applicable
- Thermal vacuum application? No
- Requires phase or time matched assemblies? No
- Requires lead-free solder? No



CONNECTOR A

Type: Straight, Family: 1 mm / W, Sex: Pin (Plug)



CONNECTOR B

Type: Straight, Family: 1 mm / W, Sex: Socket (Jack)

