

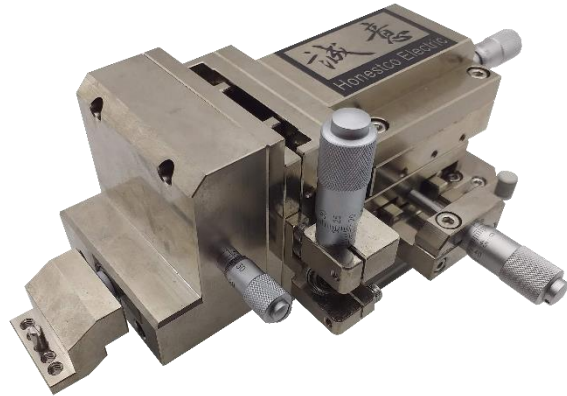
RF Probe Positioner – Version 400

DATA SHEET

HPS-PST12-400

The PST12-400 is an stable and extremely precise RF probe positioner built for research R&D and university lab probing use.

The of probe positioner is specifically designed to address the requirements of research personnel - simplicity and ease



SPECIFICATIONS

Dimensions	121.5mm X 95 mm X 257 mm (4.8" X 3.7" X 10.1") (W,H,L)
Weight	2 kg (4.4 lbs.)
Base	Magnetic base or Vacuum base with on/off switch
X-Y-Z Movement	Fine micrometer adjustment – 12 mm (X, Y, Z) Min scale is 10um Z axis prevent sliding
Theta Movement	Travel: 10 degrees (fine)
Material	Aluminum electroless nickel plating
Options & Accessories	Probe Long connecting rod Anritsu, keysight, R&S, Frequency Multipliers Holder

Note: Data and specifications vary depending on probe system configurations and accessories

