

# 110GHz 1.0mmW Right Angle ADAPTERS **NEW**

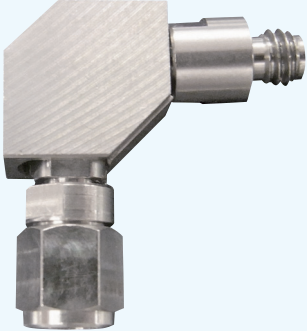
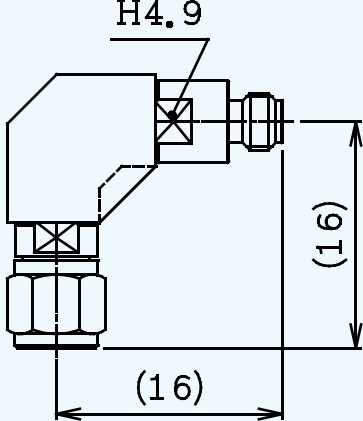
## ► Overview

110GHz 1.0mmW connector right angle adapter release. Semi-rigid cable construction with metal cover for extra strength.

## ► Features

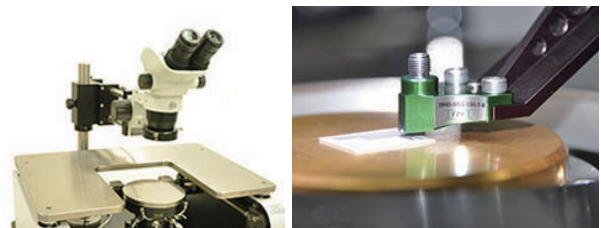
The electric characteristic is just same as straight adapter series.  
Low insertion and return loss.

## ► Product

Item Code:02YD886-00	Dimension
 <p>1.0mmW/P-1.0mmW/J</p>	

## ► Applications

Perfect for the millimeter wave probing with vertical connectors. Keeping the dimension as smallest as possible, micro scope can go lower for more accurate measurement



► Data(Typical)

◆02YD886-00 (1.0mmW/P-1.0mmW/J)

