

W Band WR10 Coaxial Waveguide Adapter **NEW**

- End-launcher Plug type -

► Overview

Coaxial waveguide adapter is component which connects between the coaxial connector to the rectangular waveguide.

As a new product, we have developed the end launcher Plug type of 74GHz to 110GHz (W band).


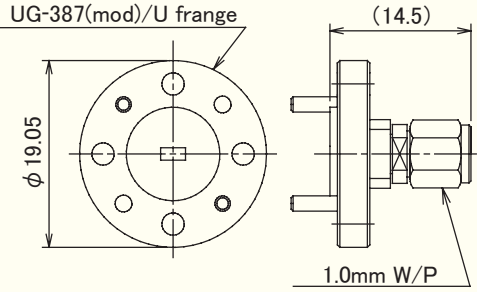
► Features

- End-Launcher structure, easy installation
- Light weight & Very short length (12mm!)
- Low loss and low V.S.W.R.

► Applications

Development tool for automotive radar system, radar for transportation network, electric wave astronomy, millimeter wave transmission and etc.

► Sample product

01X0573-00	Diagram
	

► Products Specification

◆ Electrical

Requirement	Specification
Frequency	74 ~ 110GHz
V.S.W.R.	1.5 Max
Insertion Loss	0.5dB MAX
Temperature	25°C ± 20°C

◆ Mechanical

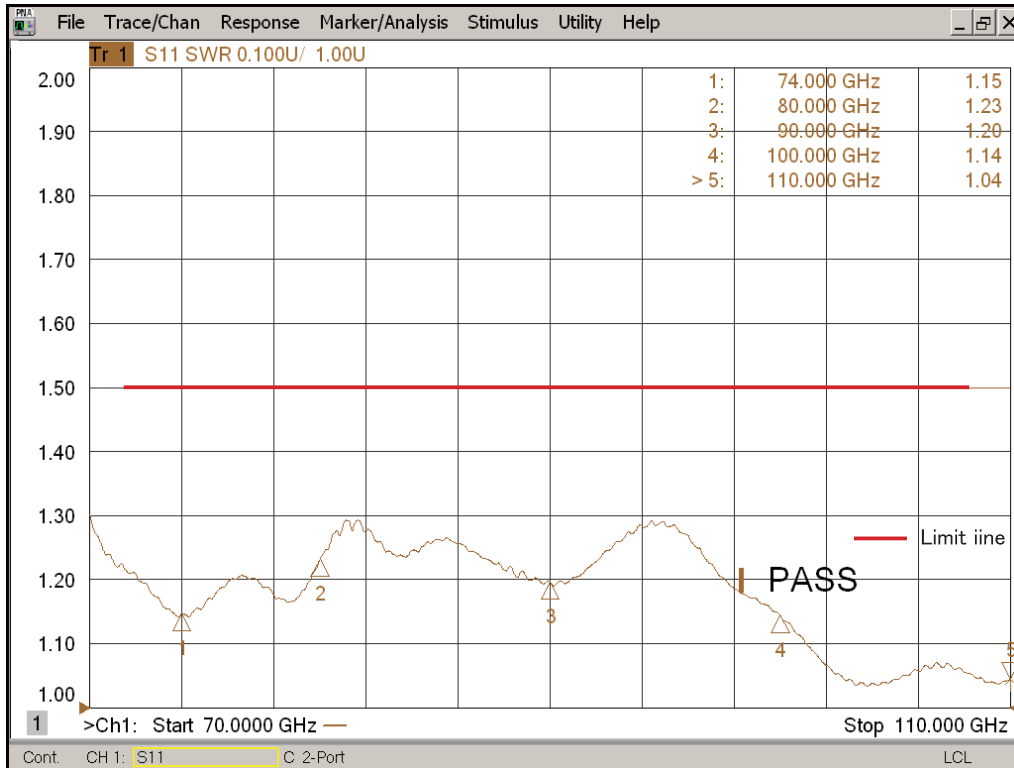
Requirement	Specification
Connector	1.0mm W (Plug)
Flange	UG-387(mod)/U
Waveguide	WR-10
Length	Approx.14.5mm (not included pins)



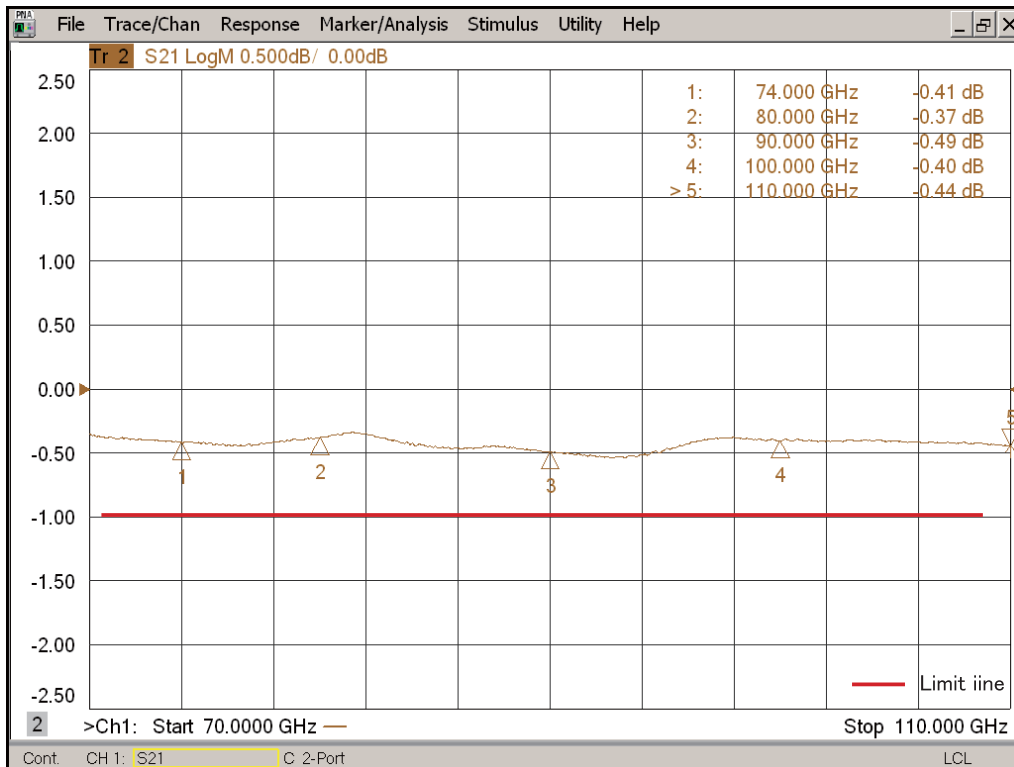
WAKA MANUFACTURING CO.,LTD
 TEL: +81-3-6635-5410 FAX: +81-03-6635-5420
 URL: <http://www.waka.co.jp/>

► Data

◆ V.S.W.R.



◆ Insertion Loss



This data is the value of the two