

Compression Mount PCB Connectors 2.92mmK **NEW**

► Overview

This 2.92mm connector is high performance vertical compression with screw mount, frequency up to 40GHz

► Feature

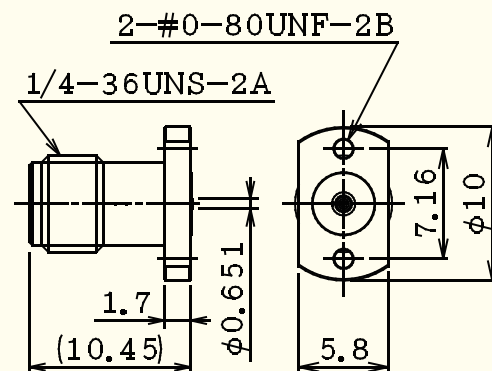
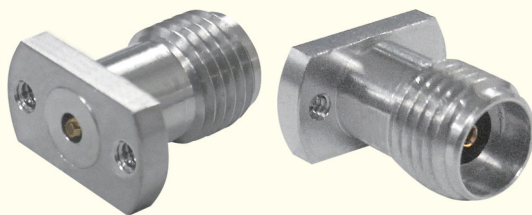
- Stable millimeter-frequency performance with easy mountability.
- DC to 40GHz millimeter-wave frequency supported.
- No soldering needed, easy installation and re-usable.
- Can be apply variety of PCB thickness.

► Application

High frequency measurement, interconnection of high-speed communication devices and optical component.

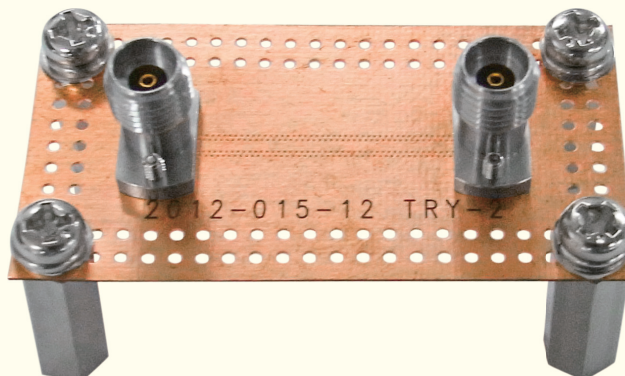
► Product

Product Code : 01R0488-00

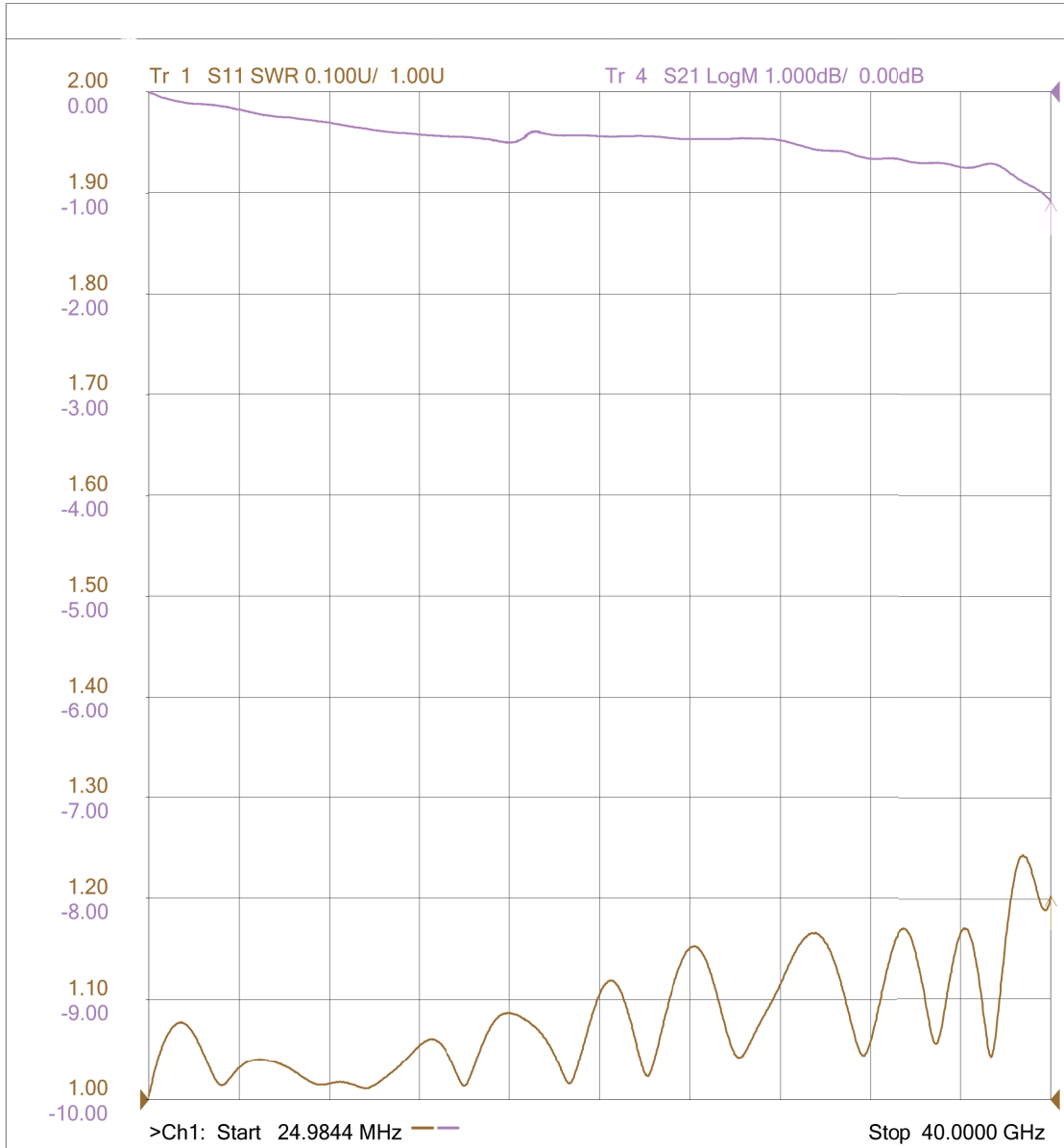


PCB Mount Ex.

Evaluation condition: PCB RT5880, t=0.254, connector to connector 25mm



► Typical Data



Window 1

Channel Settings										
Channel	Sweep Type	Points	Start (MHz)	Stop (GHz)	IF BW (kHz)	Sweep Time (s)	Pow 1 (dBm)	Pow 2 (dBm)	Pow 3 (dBm)	Pow 4 (dBm)
1	LinFreq	1601	24.984400	40.000000	1.000000	1.476150	0.000000	0.000000	0.000000	0.000000

Trace Attributes					
Window	ID	Trace	Channel	Correction	Options
1	1	S11	1	C 2-Port	
	3	S21	1	C 2-Port	