

PD -30GHz Module-

► Overview

PD 30GHz module shows an extremely flat frequency response in 30GHz wide band. This device consists InGaAs photodiode, perfect for O/E front end devices. To keep flat frequency response, this device internally terminated. Photodiode has 0.7A/W response and the highest optical input power 5mW. Lightweight aluminum alloy case with 2.92mm-K female connector.

► Specification

Wide-band, 10MHz to 30GHz, AC Coupling
5mW Maximum optical input power
3.3V Operating voltage
0.7A/W Photodiode optical responsibility

► Applications

Wide-band, compact size, low-cost module, perfect for beyond 5G

► Typical Specification

Maximum Rating

Characteristics	Symbol	Value	Unit
Optical input level	Pin	5	mW
Reverse current	IR	5	mA
Forward current	IF	5	mA

Characteristics (Ta=25 °C, λ=1550nm)

Characteristics	Symbol	Condition	Min	Typ	Max	Unit
Power Voltage	Vpd			3.3		V
Optical input level	Pin			1		mW
Band Width	BW	Vpd=3.3V Pin=-10dBm		30		GHz
Optical sensitivity	R	Vpd=3.3V Pin=-0dBm		0.7		A/W
Dark current	Id	Vpd=2V		20		nA
Trans Impedance	Z0			50		ohm
Operating optical length	Λ			1550		nm

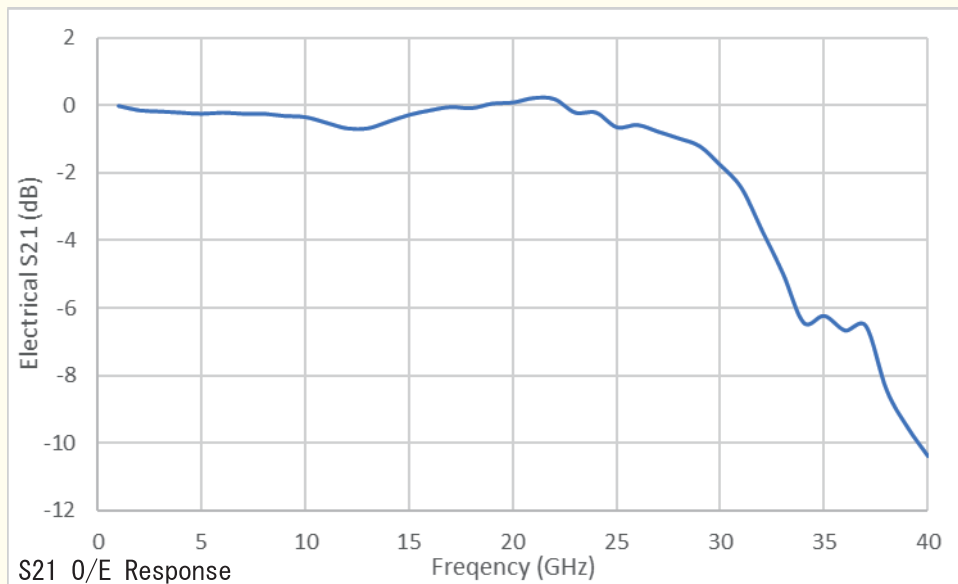
Optical fiber and connector information

	Type
Optical fiber	Single mode fiber HYTREL jacket; ϕ 0.9mm Length; 1100mm
Optical connector	SC/SPC connector
RF connector	K(2.92mm) connector

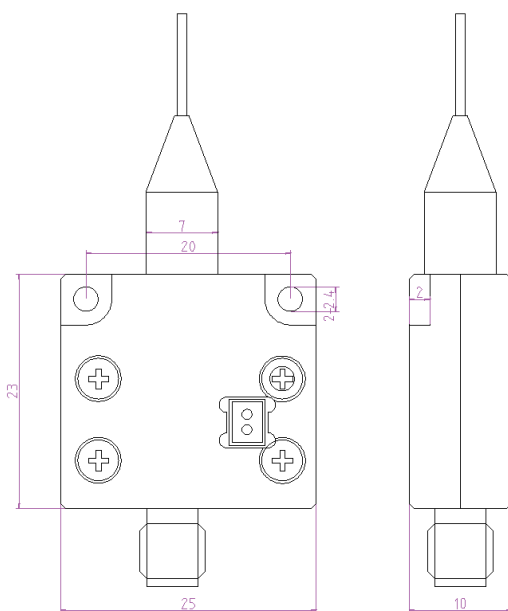
■ Exterior Image



■ Frequency Response



■ Dimension



Power cable with JST' s ZR-connector is attached.

■ Block Diagram

