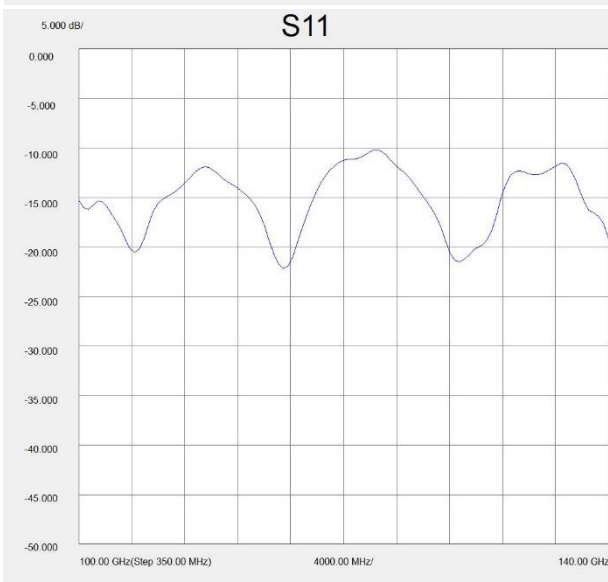
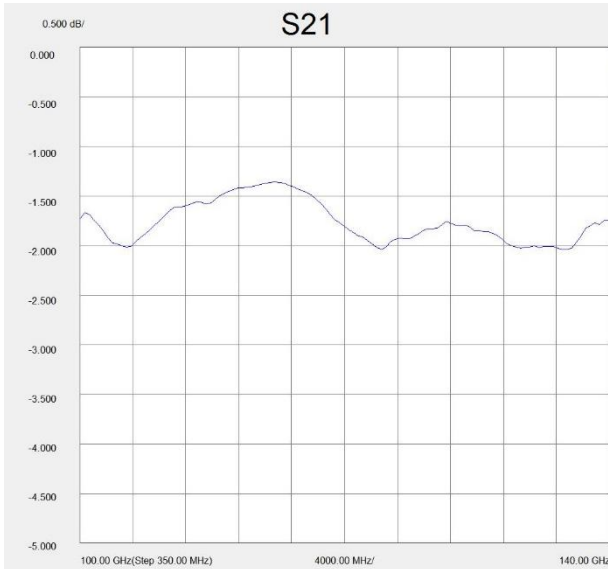




# RF Probe Model: TP140-WR8 (Preliminary)

## GSG-150um Performance

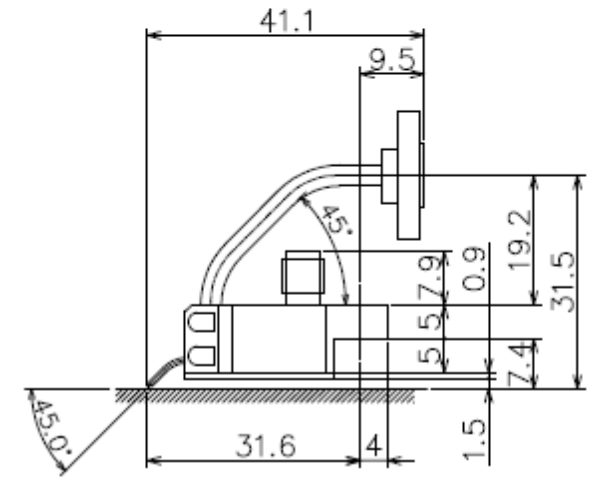
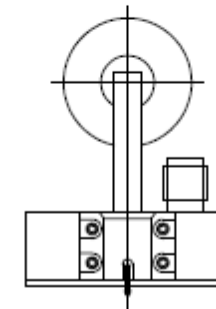
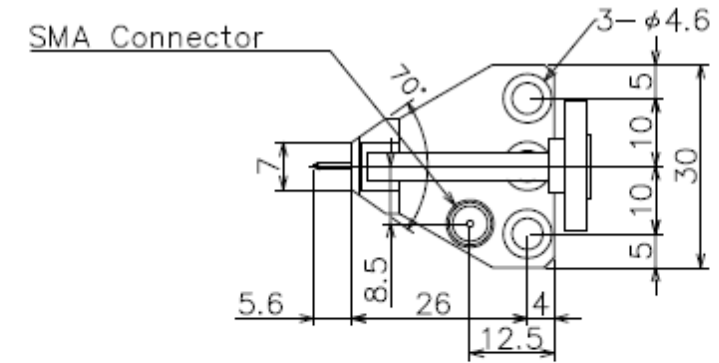


## Electric Performance

Characteristic impedance	50 ohm
Frequency range	110 to 140GHz
Insertion loss (Typ. GSG-150µm)	-2.5dB
Return Loss (Typ. GSG-150µm)	-10dB
DC voltage	100V
DC current	1A
RF Power @ 10GHz max	5W
Contact resistance on Au	0.05 ohm

## Mechanical Performance

Waveguide Flange	WR6
Available Pitch	50 to 150m (25um step)
Available Configuration	GSG
Probe Material	Nickel Alloy
Body Material	Aluminum Alloy
Contact pressure @2mil Over travel	20g
Contact Cycle (Auto Probe Mode: OD 1mil)	1M
XY position error	Max 10um
Planarity error	Max 10um
Scribing mark (Width)	30um



Unit: mm  
Tolerance: +/-0.25