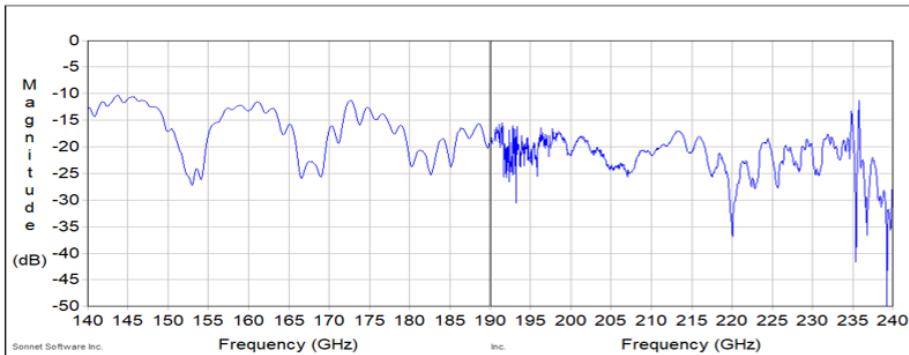
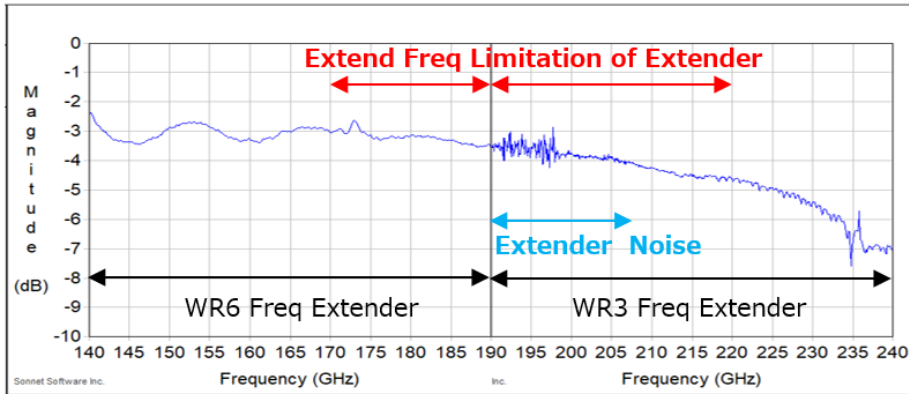




RF Probe Model: TP220BT-WR5 (Reference)

GSG-150um-BT Performance

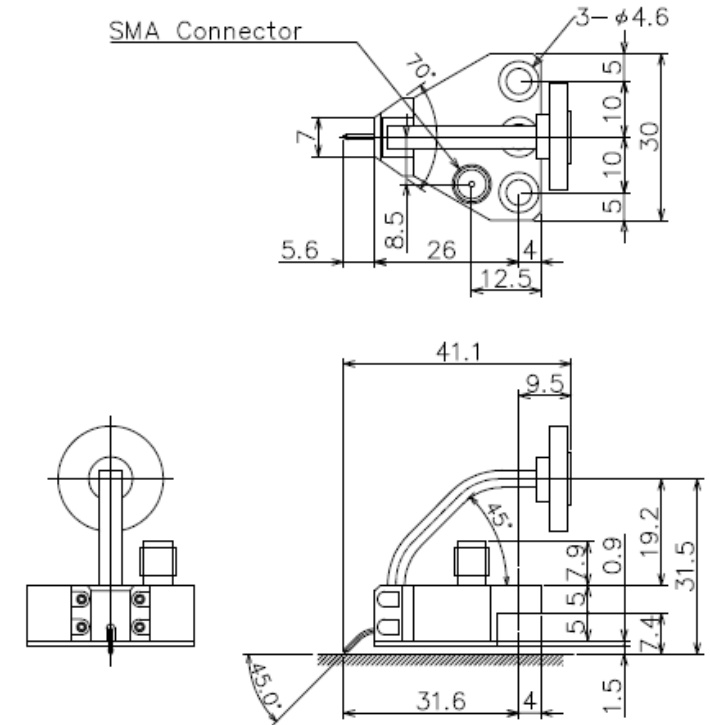


Electric Performance

Characteristic impedance	50 ohm
Frequency range	140 to 220GHz
Insertion loss (Typ. GSG-150µm)	TBD
Return Loss (Typ. GSG-150µm)	TBD
DC voltage	100V
DC current	1A
RF Power @ 10GHz max	5W
Contact resistance on Au	0.05 ohm

Mechanical Performance

Waveguide Flange	WR6
Available Pitch	50 to 150m (25um step)
Available Configuration	GSG
Probe Material	Nickel Alloy
Body Material	Aluminum Alloy
Contact pressure @2mil Over travel	20g
Contact Cycle (Auto Probe Mode: OD 1mil)	1M
XY position error	Max 10um
Planarity error	Max 10um
Scribing mark (Width)	30um



Unit: mm
Tolerance: +/-0.25